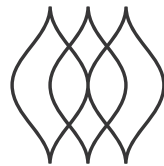


Bowers & Wilkins



FORMATION **BASS**

Welcome to Bowers & Wilkins and Formation Bass.

Thank you for choosing Formation. When John Bowers first established Bowers & Wilkins he did so in the belief that imaginative design, innovative engineering and advanced technology were keys that could unlock the enjoyment of audio in the home. That belief continues to inspire every product we design and in Formation has found its most advanced expression yet.

Formation Bass is a network connected, wireless subwoofer designed to provide extremely high performance low frequency enhancement of Formation Duo, Formation Wedge and Formation Bar speakers. Formation Bass is configured and controlled using the Bowers & Wilkins Home app. The app is available for both iOS and Android devices. It is only possible to install and configure a Formation Bass using the Bowers & Wilkins Home app.

Formation Bass will enable you to:

- Enhance the low frequency performance of Formation Duo, Wedge and Bar speakers.

The Bowers & Wilkins Home app is required to connect your Formation Bass to your home network and also to establish connection with other Formation products in your home. The Bowers & Wilkins Home app also provides some control and configuration functions during use. Before you begin your Formation Bass installation please download and install the Bowers & Wilkins Home app on your iOS or Android device. The Bowers & Wilkins Home app requires iOS V11.4 or later, or Android V8.1 or later. Bluetooth, and WiFi services must be enabled on your iOS or Android device. You will also need to know your WiFi network password.

Note: Location Services must be enabled on Android devices during the Formation setup process. This is because Formation products use a low power form of Bluetooth (BT-LE) for service communication which on Android devices is only switched on when Location Services are enabled. Bowers & Wilkins do not use any location services data for marketing purposes.

1. Formation Bass Carton Contents

Formation Bass
 Mains power cable set appropriate for your territory
 Document pack

2. Installing Your Formation Bass

Location

Your Formation Bass requires a mains power supply to operate so must be located within reach of a mains socket. If your Formation Bass speaker is to use a wired connection to your home network it will need to be located within reach of an appropriate network (Ethernet) cable.

Your Formation Bass speaker should be placed on the floor in reasonably close proximity to the Formation speaker it is partnered with. In the case of a Formation Wedge or Formation Bar, a subwoofer location directly beneath the speaker, or at least adjacent to a common wall, is likely to produce the best results.

In the case of a Formation Bass partnered with a pair of Formation Duo speakers, the best results are likely to be obtained if the Formation Bass is placed between the Formation Duo speakers or in the vicinity of one of them. Placing a Formation Bass to the side, but still to the front of the listeners, is an acceptable compromise if domestic considerations dictate. The Formation Bass should not be located behind the listening position. Diagram 1 illustrates subwoofer positioning.

Note: Take care when handling your Formation Bass not to damage the driver diaphragms located on each end of its enclosure.

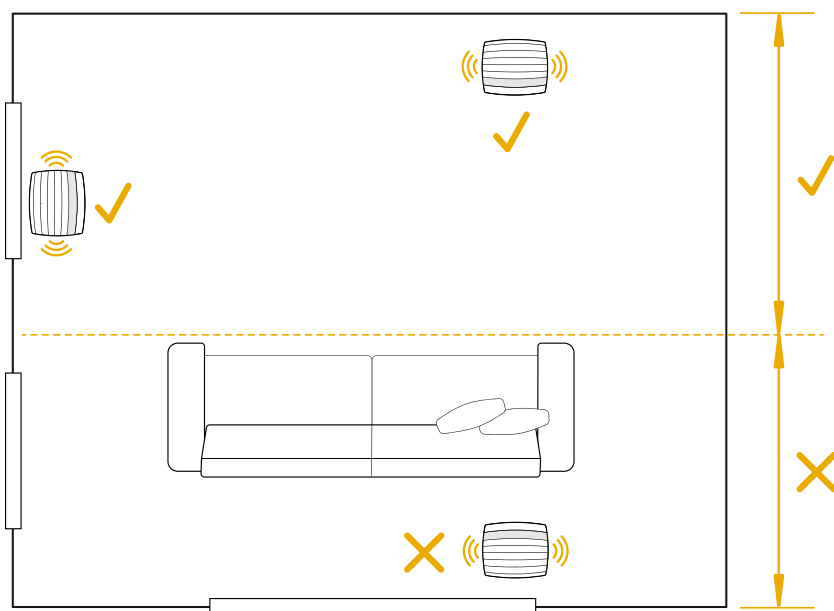
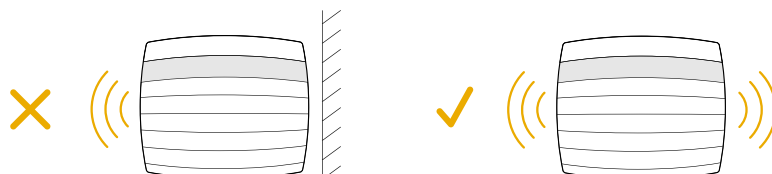


Diagram 1
 Positioning

Connections

In addition to a mains power socket **2**, your Formation Bass carries an Ethernet socket **1** for connection to a router should a wired network connection be preferred to wireless (WiFi).

Note: The USB socket located on the Formation Bass rear panel is intended for service and diagnostic use only. It cannot be used for any other purpose.

The Formation Bass has no wired audio connections and will configure itself automatically during the setup process to access network audio streams and to enhance bass appropriately depending on the characteristics of the partnered speaker. When partnered with a Formation Bar, the Formation Bass will automatically switch to reproducing the low frequency effects (LFE) channel of Dolby Surround encoded material.

Switch On and Off

With all connections made, and the Bowers & Wilkins Home app installed on your mobile device, your Formation Bass is ready to be set up. Your Formation Bass has no mains power switch and, following a short start-up routine, will be operational as soon as it is connected to mains power. It will play an audio prompt when its startup routine is complete.

When a Formation Bass that has not been previously used is first switched on it will automatically enter setup mode to enable its connection to your home network and to any other available Formation devices. Setup mode is indicated by a slow orange pulse illumination of the Form touch button **3**. The Formation Bass will also appear in the Bowers & Wilkins Home app as available for set up after selecting 'Add Formation product' from the app Settings page.

Your Formation Bass manages its operational state and power consumption entirely automatically and will switch to a power saving mode after twenty minutes of inactivity. There is no need ever to switch off your Formation Bass, however should you wish to do so, simply disconnected it from mains power. Your Formation Bass will retain its settings without mains power.

You can restart a Formation Bass speaker by a short press and release of the reset button located on its rear panel **3**. Pressing the button will switch the Formation Bass off and on again. All settings will be retained when your Formation Bass restarts. You can also restart your Formation Bass via the Bowers & Wilkins Home app Settings page.

If you wish to reset your Formation Bass to its default settings, press and hold the reset button for five seconds. On restart, your Formation Bass will enter setup mode. All settings will be deleted when your Formation Bass resets. You can also reset your Formation Bass via the Bowers & Wilkins Home app Settings menu.

Network Setup

- With your Formation Bass in setup mode, with its Form button **3** illumination pulsing slowly orange, launch the Bowers & Wilkins Home app on your iOS or Android device. The app will guide you with prompts through the setup process.

Note: Formation Bass employs a Bluetooth connection to the device running the Bowers & Wilkins Home app during the setup process. Bluetooth signals have a relatively short range and can be interrupted by room boundaries, so we recommend that your Formation Bass and Bowers & Wilkins Home app device remain in close proximity during the setup process.

- The Bowers & Wilkins Home app will first search for Formation products in setup mode and display a screen inviting the selection of one. Tap to select your Formation Bass. If you have already set up a Formation product and are adding an additional one, select 'Add Formation product' from the app Settings menu.
- The Bowers & Wilkins Home app will next invite you to name the "space" in which your Formation Bass is to be used. A list of default space names is provided but you can also create your own. When you have selected, or created, a space name, the app will ask you to touch the Form button **3** on the top of your Formation Bass to confirm the selection.

- If a wireless network connection for your Formation Bass is to be used, the next setup stage will connect your Formation Bass to your home WiFi network. The app will ask you to confirm the correct WiFi network and ask you to input its password. Alternatively, if your Formation Bass is connected to your network router using an Ethernet cable, this stage of the setup process will be bypassed.

Note: If you already have other Formation products connected to your WiFi network, Formation Bass setup will not require you to input the WiFi password.

- With WiFi network configuration, and space selection complete, your Formation Bass is ready for use. Your Formation Bass will play an audio prompt to confirm successful set up.

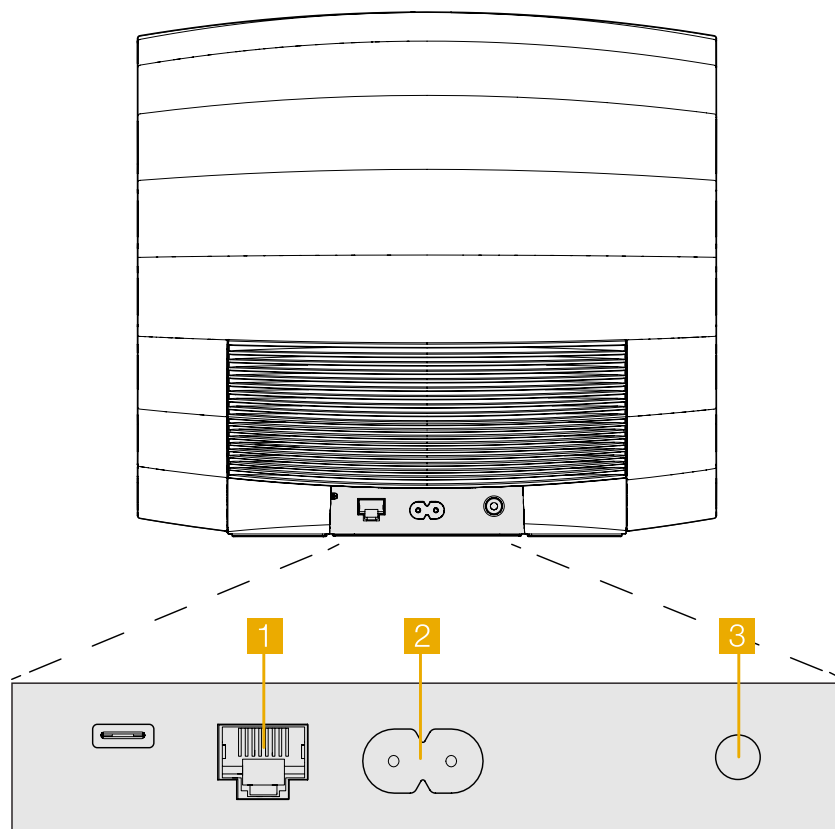


Diagram 2
Formation Bass rear panel

3. Using Your Formation Bass

The Basics

Once installed and configured, your Formation bass will operate entirely automatically. The only adjustment you may need to make is of subwoofer volume relative to the partnered Formation speaker. This will depend on personal preferences and the acoustic character of your listening room. To adjust Formation Bass volume, open the Bowers & Wilkins Formation app and tap on the settings icon to open the Settings menu. Now tap on the 'Formation Bass' to open its settings page and use the volume slider to make adjustments.

Note: Please remember that your Formation Bass subwoofer is capable of low frequency volume levels that have the potential to cause nuisance. If in any doubt, reduce the volume.

Spaces

Spaces are a core concept of the Formation product family. A Formation "space" is a room or a specific area in your home in which you listen to music. Each space can include different combinations of Formation products. The possible configurations are displayed in Diagram 3

Form Button illumination

The Formation Bass Form button illumination changes to indicate a variety of operational states. The illuminations are displayed in Diagram 4.

4. The Bowers & Wilkins Home App

With your Formation Bass configured and connected to your network, the Bowers & Wilkins Home app will open to its Home screen where the Formation Bass space and any other available Formation spaces will be listed.

Tap on a Formation space to select from any available streams or inputs. If there are no streams available, open a streaming app, Spotify for example, and select an item to play, then select the Formation Space from the list of available playback devices. Now, when you return to the Bowers & Wilkins Home app, the Spotify stream will be listed on the Formation Bass space page.

The Bowers & Wilkins Home app Home page has a Settings icon in the top right corner. Tap the icon to open the app Settings menu. The Settings menu provides options to configure and reset your Formation devices and re-name your Formation spaces. App and Formation device firmware updates are also initiated from the Settings menu.

Finding Your Way Around the Bowers & Wilkins Home App

The Bowers & Wilkins Home app will search for available Formation spaces when opened then display its Home page with the spaces listed.

Beneath each space the app will display its current activity. Tapping on an active space will open a "now playing" screen that enables volume and play/pause control.

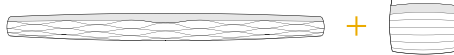
The 'now playing' screen also provides an 'Available Spaces' option that enables the stream playing in the selected space to be transferred to another space or played in multiple spaces. The 'Available Spaces' screen also provides the opportunity to control volume, both globally across all spaces, or in individual spaces.

TV Space configurations

Formation Bar



Formation Bar + Formation Bass

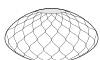


Music Space configurations

Formation Audio



Formation Wedge



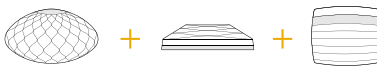
Formation Wedge + Formation Audio



Formation Wedge + Formation Bass



Formation Wedge + Formation Audio + Formation Bass



Formation Duo



Formation Duo + Formation Audio



Formation Duo + Formation Bass



Formation Duo + Formation Audio + Formation Bass

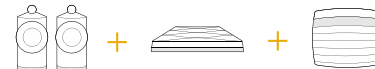


Diagram 3
Space configurations

Indicator	Operational state
Flashing white	Start-up in progress
Pulsing orange	Ready for setup
Flashing orange	Firmware update in progress
Pulsing white	Audio pull in progress
Pulsing red	Error - contact support
Solid red	Error - contact support
Flashing red	Factory reset in progress

Diagram 4
Form button illuminations

The Bowers & Wilkins Home app Settings page is opened by tapping on the settings icon. The initial Settings menu lists each space and the number of Formation devices present in each one.

Tapping on a space listed in the Settings menu provides access to its Space and Formation device settings. Tap the Space name to access the space settings and tap the device name to access the device settings. The device settings available will depend on the device in question.

Note: If the Settings icon on the Bowers & Wilkins Home app displays a yellow dot (icon + dot) this indicates that a Formation firmware update is available. The firmware update process is initiated from the Settings menu. You should always aim to keep the Bowers & Wilkins Home app and your Formation devices up to date with the latest version and firmware. Not only will this help ensure the most reliable performance, it will ensure that you benefit from new Formation features.

5. Cleaning

Should your Formation Bass need cleaning you can wipe its top surface with a clean, lint-free cloth and brush its grille with a soft brush. If you wish to use any cleaning fluid, apply it onto the cleaning cloth and not directly onto the Formation Bass. Test a small area first, as some cleaning products may damage some of the surfaces. Avoid products that are abrasive, or contain acid, alkali or anti-bacterial agents.

6. Support

Should you require further help or advice regarding your Formation Bass please visit the Formation support site here www.bowerswilkins.com/support.

Environmental Information

This product complies with international directives, including but not limited to the Restriction of Hazardous Substances (RoHS) in electrical and electronic equipment, the Registration, Evaluation, Authorisation and restriction of Chemicals (REACH) and the disposal of Waste Electrical and Electronic Equipment (WEEE). Consult your local waste disposal authority for guidance on how properly to recycle or dispose of this product.

Willkommen bei Bowers & Wilkins und Formation Bass.

Vielen Dank, dass Sie sich für Formation entschieden haben. Als John Bowers das Unternehmen Bowers & Wilkins gründete, war er überzeugt, dass ein einfallreiches, elegantes Design sowie eine innovative Konstruktion und fortschrittliche Technologien der Schlüssel für ein einmaliges Klangerlebnis in Ihrem Zuhause sind. Diese Überzeugung inspiriert weiterhin jedes Produkt, das wir entwickeln, und hat mit Formation die bisher ausgereifteste Form gefunden.

Formation Bass ist ein netzwerkfähiger, drahtloser Subwoofer, der für eine extrem leistungsstarke Basstiefe für Formation Duo, Formation Wedge und Formation Bar Lautsprecher sorgt. Formation Bass wird hauptsächlich mit der Bowers & Wilkins Home App konfiguriert und gesteuert. Die App ist sowohl für iOS- als auch für Android-Geräte verfügbar. Das Installieren und Konfigurieren eines Formation Bass ist nur über die Bowers & Wilkins Home App möglich.

Mit Formation Bass können Sie:

- Die Niederfrequenzwiedergabe von Formation Duo, Wedge und Bar Lautsprechern verbessern.

Die Bowers & Wilkins Home App ist erforderlich, um Formation Bass mit Ihrem Heimnetzwerk zu verbinden, aber auch um eine Verbindung mit anderen Formation-Produkten in Ihrem Zuhause herzustellen. Die Bowers & Wilkins Home App bietet zudem einige Steuerungs- und Konfigurationsfunktionen während des Gebrauchs. Bevor Sie mit der Installation von Formation Bass beginnen, laden Sie bitte die Bowers & Wilkins Home App herunter und installieren Sie sie auf Ihrem iOS oder Android-Gerät. Für die Bowers & Wilkins Home App ist iOS V11.4 oder höher bzw. Android V8.1 oder höher erforderlich. Bluetooth- und WLAN-Dienste müssen auf Ihrem iOS- oder Android-Gerät aktiviert sein. Zudem müssen Sie Ihr WLAN-Passwort kennen.

Hinweis: Auf Android-Geräten müssen die Ortungsdienste während des Einrichtungsvorgangs für Formation aktiviert sein. Dies liegt daran, dass Formation-Produkte für die Kommunikation einen Bluetooth-Modus mit geringem Stromverbrauch (BT-LE) verwenden, der auf Android-Geräten nur eingeschaltet ist, wenn die Ortungsdienste aktiviert sind. Bowers & Wilkins verwendet keine Standortdaten für Marketingzwecke.

1. Formation Bass Kartoninhalt

Formation Bass
Netzkaabel-Set passend für Ihr Land
Zugehörige Unterlagen

2. So installieren Sie Formation Bass

Platzierung

Ihr Formation Bass benötigt zum Betrieb eine Netzstromversorgung und muss sich in Reichweite einer Steckdose befinden. Wenn Ihr Formation Bass Lautsprecher eine Kabelverbindung zu Ihrem Heimnetzwerk verwenden soll, muss sich das Gerät in Reichweite eines geeigneten Netzkabels (Ethernet) befinden.

Ihr Formation Bass Lautsprecher sollte in relativer Nähe zum Formation-Lautsprecher, mit dem er kombiniert wird, auf dem Boden platziert werden. Im Zusammenspiel mit Formation Wedge oder der Formation Bar führt die Platzierung des Subwoofers direkt unter dem Lautsprecher oder zumindest neben einer gemeinsamen Wand wahrscheinlich zum besten Klangerlebnis.

Soll Formation Bass mit einem Paar Formation Duo-Lautsprecher kombiniert werden, erzielen Sie wahrscheinlich die besten Klangergebnisse, wenn Sie Formation Bass zwischen dem linken und dem rechten bzw. in der Nähe von einem der beiden Formation Duo-Lautsprecher platzieren. Die Platzierung von Formation Bass zur Seite, jedoch weiterhin vor dem Zuhörer, ist ein akzeptabler Kompromiss, wenn der Raum keine andere Möglichkeit zulässt. Formation Bass sollte nicht hinter der Hörposition aufgestellt werden. Abbildung 1 zeigt die Positionierung des Subwoofers.

Hinweis: Achten Sie beim Umgang mit Ihrem Formation Bass darauf, die Lautsprechermembranen an beiden Enden des Gehäuses nicht zu beschädigen.

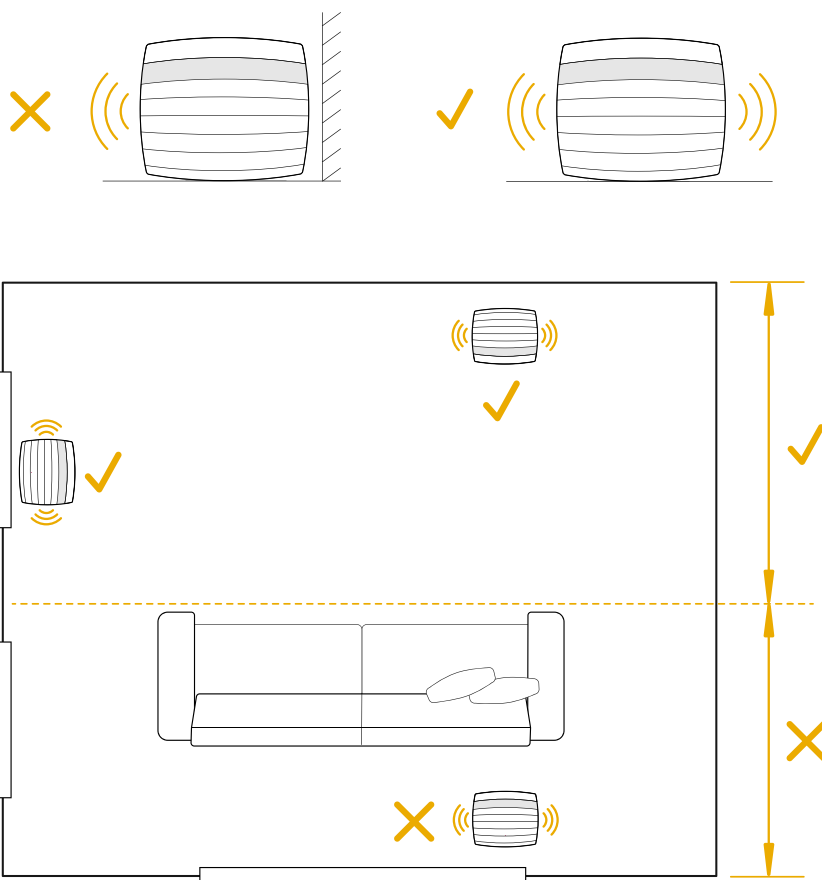


Abbildung 1
Positionierung

Anschlüsse

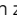
Neben einer Netzbuchse **2** verfügt Formation Bass über eine Ethernet-Buchse **1** für den Anschluss an einen Router, falls eine kabelgebundene Netzwerkverbindung der kabellosen (WLAN) vorgezogen wird.

Hinweis: Die USB-Buchse auf der Rückseite von Formation Bass ist nur für Service- und Diagnosezwecke vorgesehen. Sie darf nicht für andere Zwecke verwendet werden.

Formation Bass hat keine kabelgebundenen Audioanschlüsse und konfiguriert sich während des Einrichtungsprozesses automatisch so, dass er auf Netzwerk-Audio-Streams zugreift und die Basswiedergabe entsprechend den Eigenschaften des gepaarten Lautsprechers verbessert. In Verbindung mit einer Formation Bar schaltet Formation Bass automatisch auf die Wiedergabe des LFE-Kanals (Low Frequency Effects) von Inhalten im Dolby Surround-Format um.

Ein- und Ausschalten

Nachdem alle Verbindungen hergestellt wurden und die Bowers & Wilkins Home App auf Ihrem Mobilgerät installiert ist, kann Ihr Formation Bass eingerichtet werden. Formation Bass hat keinen Netzschalter und ist nach einem kurzen Startvorgang betriebsbereit, sobald er an das Stromnetz angeschlossen wird. Sie hören ein Tonsignal, wenn der Startvorgang abgeschlossen ist.

Wenn ein zuvor noch nicht benutzter Formation Bass zum ersten Mal eingeschaltet wird, wechselt er automatisch in den Setup-Modus, damit die Verbindung zu Ihrem Heimnetzwerk und zu anderen verfügbaren Formation-Geräten hergestellt werden kann. Der Setup-Modus wird durch ein langsames orangefarbenes Aufleuchten der Form-Touch-Taste angezeigt . Durch Tippen auf „Formation-Produkt hinzufügen“ auf der Konfigurationsseite erscheint der Formation Bass nun auch in der Bowers & Wilkins Home App und kann eingerichtet werden.

Formation Bass steuert seinen Betriebszustand und Stromverbrauch vollautomatisch und wechselt nach zwanzig Minuten Inaktivität in einen Energiesparmodus. Daher müssen Sie Ihren Formation Bass niemals ausschalten. Wenn Sie dies trotzdem wünschen, trennen Sie ihn einfach vom Stromnetz. Ihr Formation Bass behält seine Einstellungen auch ohne Netzanschluss bei.

Sie können einen Formation Bass-Lautsprecher durch kurzes Drücken und Loslassen der Reset-Taste **3** auf der Rückseite neu starten. Durch Drücken der Taste wird Formation Bass aus- und wieder eingeschaltet. Alle Einstellungen bleiben beim Neustart des Formation Bass erhalten. Sie können Ihren Formation Bass auch über die Konfigurationsseite in der Bowers & Wilkins Home App neu starten.


Wenn Sie Formation Bass auf die Standardeinstellungen zurücksetzen möchten, halten Sie die Reset-Taste fünf Sekunden lang gedrückt. Beim Neustart wechselt Formation Bass dann in den Setup-Modus. Beim Zurücksetzen werden alle Einstellungen gelöscht. Sie können Ihren Formation Bass auch über das Konfigurationsmenü in der Bowers & Wilkins Home App zurücksetzen.

Netzwerkeinrichtung

• Öffnen Sie die Bowers & Wilkins Home App auf Ihrem iOS- oder Android-Gerät, während sich Ihr Formation Bass im Setup-Modus befindet und die Form-Taste  langsam orange blinkt. Die App führt Sie durch den Einrichtungsvorgang.

Hinweis: Formation Bass verwendet während des Einrichtungsvorgangs eine Bluetooth-Verbindung zu dem Gerät, auf dem die Bowers & Wilkins Home App läuft. Bluetooth-Signale haben eine relativ geringe Reichweite und können durch Wände/Hindernisse unterbrochen werden. Wir empfehlen daher, dass Formation Bass und das Gerät mit der Bowers & Wilkins Home App während des Einrichtungsvorgangs nahe beieinander bleiben.

• Die Bowers & Wilkins Home App sucht zunächst im Setup-Modus nach Formation-Produkten und zeigt einen Bildschirm an, in dem Sie zur Auswahl aufgefordert werden. Tippen Sie auf Ihren Formation Bass. Wenn Sie bereits ein Formation-Produkt eingerichtet haben und ein weiteres hinzufügen möchten, wählen Sie auf der Konfigurationsseite in der App die Option „Formation-Produkt hinzufügen“.

• Die Bowers & Wilkins Home App fordert Sie als Nächstes auf, den Raum zu benennen, in dem Ihr Formation Bass verwendet werden soll. Sie sehen eine Liste mit Standardnamen für Räume, können aber auch eigene Namen erstellen. Nachdem Sie einen Raumnamen ausgewählt oder erstellt haben, fordert Sie die App auf, die Form-Taste  oben auf Ihrem Formation Bass zu berühren, um die Auswahl zu bestätigen.

• Wenn eine drahtlose Netzwerkverbindung für Ihren Formation Bass verwendet werden soll, erfolgt im nächsten Einrichtungsschritt die Verbindung des Formation Bass mit Ihrem heimischen WLAN-Netz. Die App fordert Sie auf, das richtige WLAN-Netz zu bestätigen und das Passwort einzugeben. Falls Ihr Formation Bass mit einem Ethernet-Kabel an Ihren Netzwerk-Router angeschlossen ist, wird dieser Einrichtungsschritt übersprungen.

• WLAN-Übertragungsmodus 802.11g (2,4 GHz).

Hinweis: Wenn Sie bereits andere Formation-Produkte mit Ihrem WLAN-Netzwerk verbunden haben, müssen Sie für Formation Bass das WLAN-Passwort nicht erneut eingeben.

• Nach Abschluss der WLAN-Konfiguration und der Raumauswahl ist Formation Bass einsatzbereit. Ihr Formation Bass gibt ein Tonsignal aus, um die erfolgreiche Einrichtung zu bestätigen.

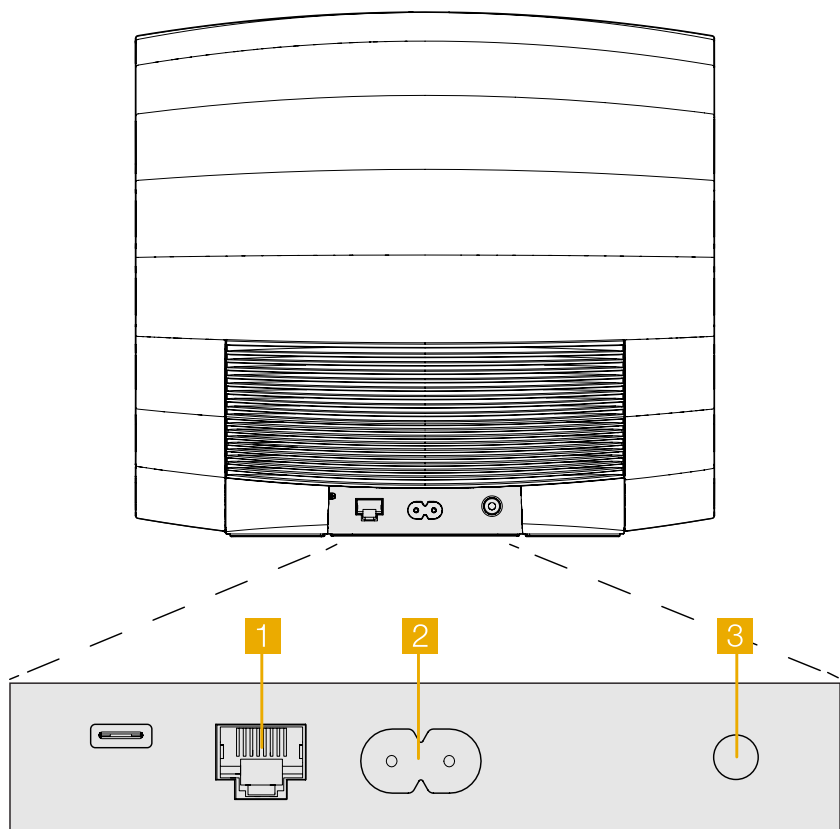


Abbildung 2
Formation Bass Rückwand

3. So verwenden Sie Formation Bass


Grundsätzliches

Nach der Installation und Konfiguration arbeitet Ihr Formation-Bass vollautomatisch. Die einzige Einstellung, die Sie möglicherweise vornehmen müssen, betrifft die Subwoofer-Lautstärke im Verhältnis zum gepaarten Formation-Lautsprecher. Dies hängt von persönlichen Vorlieben und dem akustischen Charakter Ihres Hörraums ab. Um die Lautstärke von Formation Bass anzupassen, öffnen Sie die Bowers & Wilkins Formation App und tippen Sie auf das Einstellungssymbol, um das Konfigurationsmenü zu öffnen. Tippen Sie nun auf „Formation Bass“, um die relevante Konfigurationsseite zu öffnen, und nehmen Sie etwaige Anpassungen mit dem Lautstärkereglern vor.

Hinweis: Bitte beachten Sie, dass Ihr Formation Bass-Subwoofer Lautstärkepegel im Niederfrequenzbereich erreichen kann, die womöglich eine Lärmbelästigung darstellen. Im Zweifelsfall sollten Sie daher die Lautstärke verringern.

Spaces

Spaces (Räume) sind ein wichtiges Konzept in der Formation-Produktfamilie. Ein Formation-Space ist ein Raum oder ein bestimmter Bereich in Ihrem Zuhause, in dem Sie Musik hören. Jeder Space kann Formation-Produkte in verschiedenen Kombinationen enthalten. Die möglichen Konfigurationen sind in Abbildung 3 dargestellt.

Durch anhaltendes Betätigen (für mindestens 2 Sekunden) der Form-Taste  wird die Audiowiedergabe auf diesem Gerät abgeschaltet.

Form-Tastenbeleuchtung

Die Beleuchtung der Form-Taste ändert sich, um verschiedene Betriebszustände anzuzeigen. Die Leuchtzustände sind in Abbildung 4 dargestellt.

4. Die Bowers & Wilkins Home App

Nachdem Formation Bass konfiguriert und mit Ihrem Netzwerk verbunden ist, öffnet sich die Bowers & Wilkins Home App auf der Startseite. Dort sind der Formation Bass-Raum sowie alle anderen verfügbaren Formation-Räume aufgelistet.

Tippen Sie auf einen Formation-Raum, um aus allen verfügbaren Streams oder Audioquellen auszuwählen. Wenn keine Streams verfügbar sind, öffnen Sie eine Streaming-App (z. B. Spotify) und wählen Sie einen Titel aus. Wählen Sie dann den Formation-Raum aus der Liste der verfügbaren Wiedergabegeräte aus. Wenn Sie nun zur Bowers & Wilkins Home App zurückkehren, wird der Spotify-Stream für den jeweiligen Raum aufgelistet, in dem sich Ihr Formation Bass befindet.

Auf der Startseite der Bowers & Wilkins Home App befindet sich oben rechts ein Einstellungssymbol. Tippen Sie auf das Symbol, um das Konfigurationsmenü zu öffnen. Dieses Menü bietet Optionen zum Konfigurieren und Zurücksetzen Ihrer Formation-Geräte und zum Umbenennen Ihrer Formation-Räume. Updates für die App und die Firmware der Formation-Geräte werden ebenfalls über dieses Menü abgerufen.

Zurechtfinden in der Bowers & Wilkins Home App

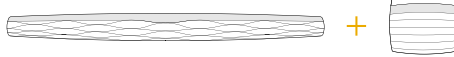
Die Bowers & Wilkins Home App sucht beim Öffnen nach verfügbaren Formation-Räumen und zeigt dann die Startseite mit den gefundenen Räumen an.

TV-Konfigurationen

Formation Bar



Formation Bar + Formation Bass

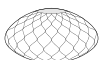


Musik-Konfigurationen

Formation Audio



Formation Wedge



Formation Wedge + Formation Audio



Formation Wedge + Formation Bass



Formation Wedge + Formation Audio + Formation Bass



Formation Duo



Formation Duo + Formation Audio



Formation Duo + Formation Bass



Formation Duo + Formation Audio + Formation Bass

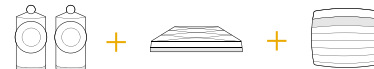


Abbildung 3
Raumkonfigurationen

Anzeige

Betriebszustand

Blinkt weiß

Startvorgang läuft

Pulsiert orange

Wartet auf die Einrichtung

Blinkt orange

Firmware-Update wird durchgeführt

Pulsiert weiß

Audio wird abgerufen

Pulsiert rot

Fehler - Support kontaktieren

Konstant rot

Fehler - Support kontaktieren

Blinkt rot

Reset wird durchgeführt

Abbildung 4
Beleuchtung der Form-Taste

Unter jedem Raum zeigt die App die aktuelle Aktivität an. Wenn Sie auf einen aktiven Raum tippen, erscheint ein Wiedergabe-Bildschirm, auf dem Sie die Lautstärke und Wiedergabe/Pause steuern können.

Der Wiedergabe-Bildschirm bietet auch die Option „Verfügbare Räume“, mit der der Stream, der im jeweils ausgewählten Raum abgespielt wird, auf einen anderen Raum übertragen oder in mehreren Räumen wiedergegeben werden kann. Der Bildschirm „Verfügbare Räume“ bietet zudem die Möglichkeit, die Lautstärke zu regeln, sowohl über alle Räume hinweg als auch in einzelnen Räumen.

Die Konfigurationsseite der Bowers & Wilkins Home App wird durch Tippen auf das Einstellungssymbol geöffnet. Das Menü der Grundeinstellungen listet jeden Raum und die Anzahl der in jedem Raum vorhandenen Formation-Geräte auf.

Wenn Sie auf einen Raum tippen, der im Konfigurationsmenü aufgeführt ist, erhalten Sie Zugriff auf die Einstellungen für den Raum und dort vorhandene Formation-Geräte. Tippen Sie auf den Raumnamen, um auf die Raumeinstellungen zuzugreifen, und tippen Sie auf den Gerätenamen, um auf die Geräteeinstellungen zuzugreifen. Die verfügbaren Geräteeinstellungen hängen vom jeweiligen Gerät ab.

Hinweis: Wenn das Einstellungssymbol in der Bowers & Wilkins Home App einen gelben Punkt (Symbol + Punkt) anzeigt, bedeutet dies, dass ein Firmware-Update für Formation verfügbar ist. Das Firmware-Update wird über das Konfigurationsmenü gestartet. Sie sollten immer darauf achten, die Version der Bowers & Wilkins Home App und die Firmware Ihrer Formation-Geräte auf dem neuesten Stand zu halten. Dadurch wird nicht nur die höchste Zuverlässigkeit gewährleistet, sondern Sie profitieren auch von neuen Formation-Funktionen.

5. Reinigung

Zum Reinigen von Formation Bass wischen Sie die Oberseite mit einem sauberen, fusselfreien Tuch ab. Das Gitter kann mit einer weichen Bürste gereinigt werden. Wenn Sie Reinigungsflüssigkeit verwenden möchten, tragen Sie diese auf das Reinigungstuch und nicht direkt auf Formation Bass auf. Testen Sie zunächst an einer kleinen, unauffälligen Stelle, da einige Reinigungsprodukte bestimmte Oberflächen beschädigen können. Verwenden Sie daher keine scharfen bzw. säure- oder alkalihaltigen oder antibakteriellen Produkte.

6. Support

Wenn Sie weitere Hilfe oder Beratung zu Formation Bass benötigen, besuchen Sie bitte die folgende Support-Seite für Formation www.bowerswilkins.com/support.

Umweltinformationen

Dieses Produkt entspricht den internationalen Richtlinien über die Beschränkung der Verwendung bestimmter gefährlicher Stoffe in Elektro- und Elektronikgeräten (RoHS), der Verordnung zur Registrierung, Bewertung, Zulassung und Beschränkung chemischer Stoffe (REACH) und den Richtlinien über Elektro- und Elektronik-Altgeräte (WEEE). Erkundigen Sie sich bezüglich des Recyclings bzw. der Entsorgung dieses Produktes bei der örtlichen Abfallentsorgung.